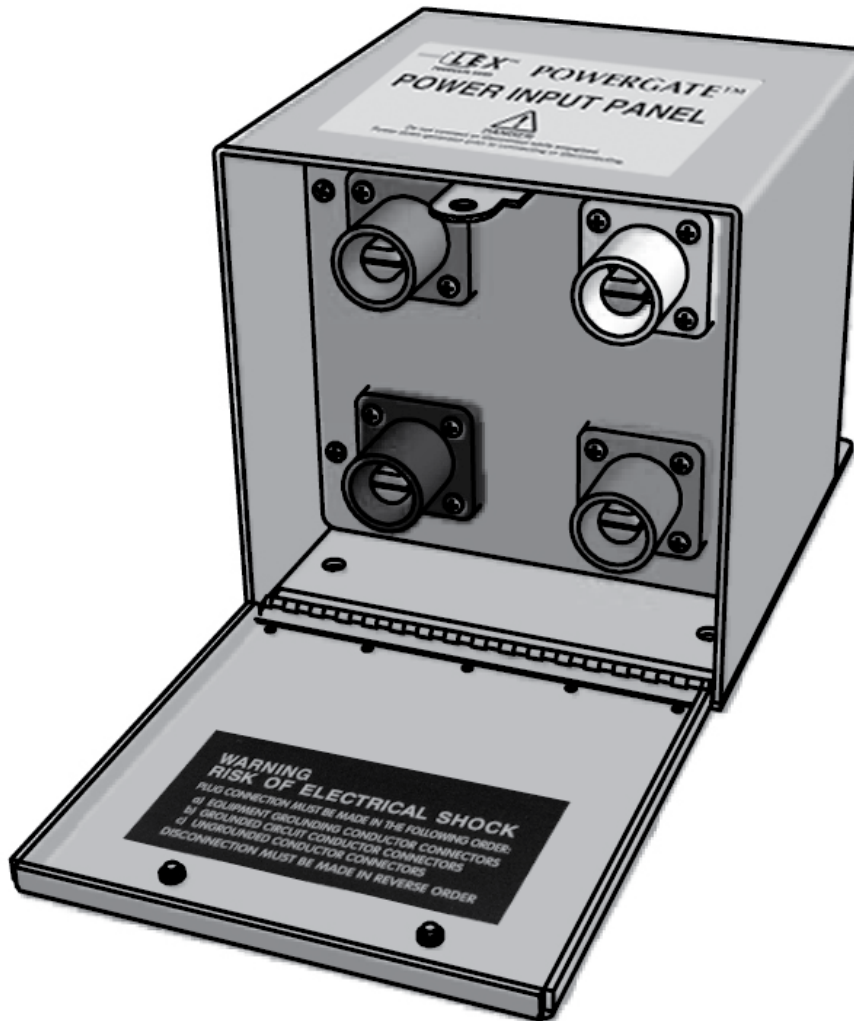




*We Deliver the Power™*



**PowerGATE™**

*Switches & Panels*

## **Compact Power Input Panel Transfer Switch Accessory**

### **Installation Instructions**

Lex Products Corporate Office: 401 Shippan Avenue • Stamford, CT 06902  
1-800 643-4460 • Ph. 203-363-3738 • Fx. 203-363-3742 • [www.LexProducts.com](http://www.LexProducts.com)

REV0000 (050808)

## Introduction

The Lex PowerGATE™ Compact Power Input Panel is a safe, convenient and economical means of connecting emergency power from generators to a transfer switch supplying a variety of loads.



All the operations regarding installation, operation and maintenance must be carried out by qualified personnel

## Specifications

- Compact Power Input Panel shall be rated up to 100 Amp, 125/250 VAC single-phase service
- Enclosure shall be constructed to conform to NEMA 3R weatherproof specifications
- Enclosure shall be constructed of 0.125” aluminum, grey powder coat
- Enclosure shall have a hinged lower door that provides access to cam connectors and will feature a hasp to provide padlock provision
- Cables shall drape downward for lowest profile against a wall
- Each unit shall have (4) 16 Series, Cam-type connectors for single-phase service
- Cam-type connectors shall be attached to removable panel

## Step 1: Getting Started

Please take a few minutes to read and understand all instructions prior to installation/operation of this product.

Pay special attention to the danger notes indicated in the manual by the following symbol:

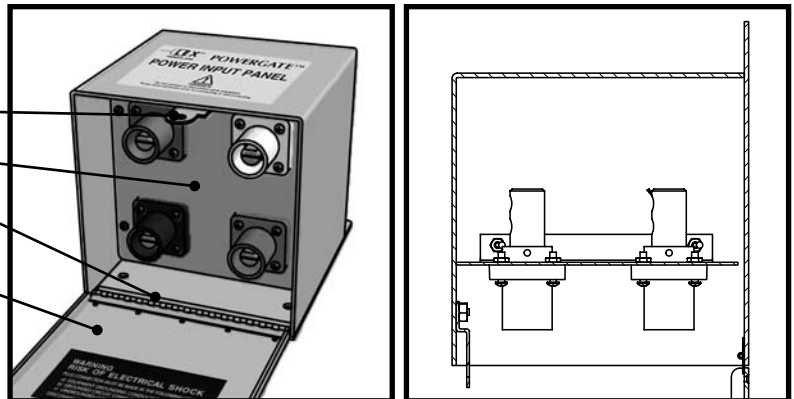


### External Layout:

- Padlock provision
- Bottom recessed cam panel
- Continuous stainless steel hinge
- Bottom access door

### Internal Layout:

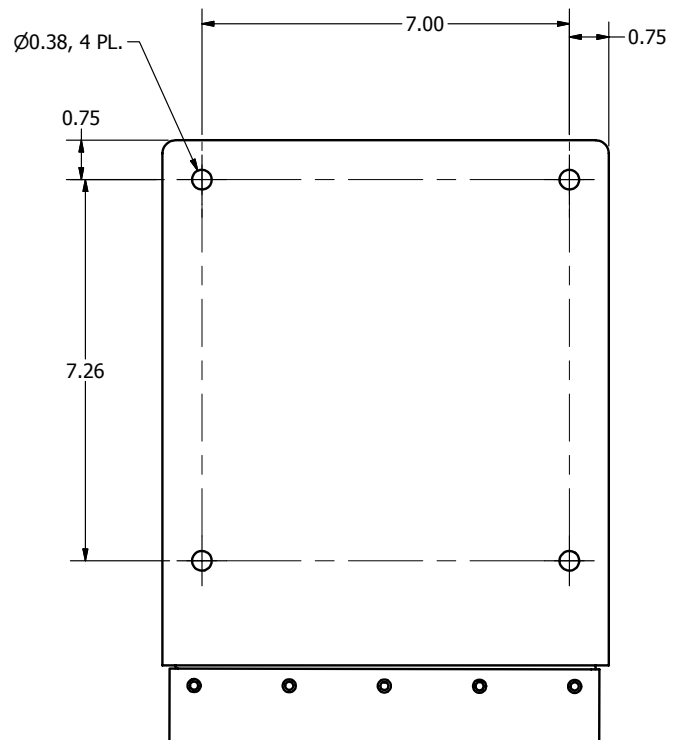
- (4) Male Cam-type connectors
- Double set screw cable terminators



## Step 2: Mounting the Compact Power Input Panel

Four (4) holes are drilled in the enclosure for mounting.

- Locate where you wish to install the unit and make sure the surface is structurally sound.
- The mounting hole pattern dimensions are 7.00" W x 7.26" H.
- While the unit is mounted, locate the desired conduit location, then remove the unit and drill conduit hole.
- Remount the unit permanently in place and attach and tighten the conduit.
- Make sure there is no debris leftover from drilling and that no tools are left in the cabinet.



## Step 3: Wiring the Input Panel



**Danger – For use only for connection of a generator to the source terminals of a transfer switch, such that the inlets are only energized from the generator.**

The recommended input (contractor direct wire) wire gauge for this unit is #2 AWG. (2) Copper shims and (2) set screws per device are included.

- With the conduit in place, make sure main source of power is off or isolated.
- Remove Cam panel (secured with four Phillips head screws) to expose the main wire connections.
- Pull power cables through.
- Beginning with the ground, strip cable jacket 1-3/4". Continue with the neutral and then the phases.
- Wrap copper foil around strands. Insert into contact and tighten (2) set screws to 160 (in-lbs.) of torque
- Re-install Cam panel.

## Step 4: Making the Cam Connections



**Danger – Make sure main power source is off.**

- Starting with the ground cable, Push the connector up into the input (male) with the screw on the connector facing you, then rotate the cam clockwise till it stops. This will then be locked in position.
- Repeat the process for the neutral then the phases.
- When disconnecting do so in reverse order (phases, neutral and lastly ground).

## Step 5: Precautions Powering Up

- Before putting any power to the unit, make sure all connections are correct and secure



**Danger – For use only for connection of a generator to the source terminals of a transfer switch, such that the inlets are only energized from the generator.**

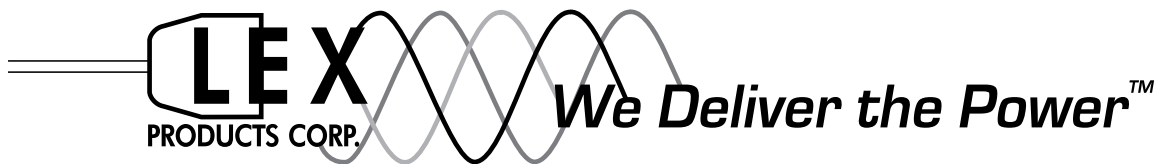


**Danger – Do not connect or disconnect while energized. Power down generator prior to connecting or disconnecting cables.**

- Generator shall be connected and disconnected in reverse in the following order:
  - a. Equipment grounding connectors
  - b. Grounded circuit conductor connectors
  - c. Ungrounded conductor connectors
- Keep access door closed when not in use.

## Technical Support

The staff at Lex Products is willing and available to help in any way possible. If you have questions or need technical advice or suggestions regarding this product, please contact us at 203-363-3738 or e-mail us at [info@LexProducts.com](mailto:info@LexProducts.com). Business hours are Monday through Friday, 8:30 am – 5 pm Eastern Time.



### CORPORATE:

401 Shippan Avenue • Stamford, CT 06902  
Ph. 203-363-3738 • Fx. 203-363-3742

**PowerGATE™**

Switches & Panels

**1-800-643-4460 • [www.LexProducts.com](http://www.LexProducts.com) • [info@LexProducts.com](mailto:info@LexProducts.com)**