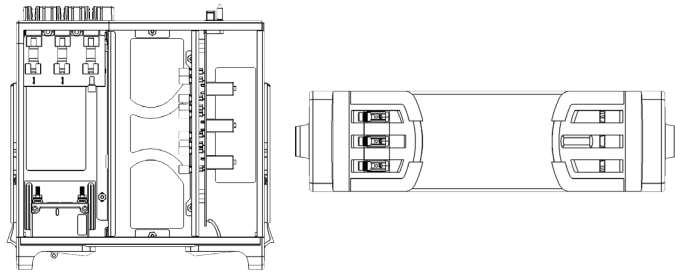
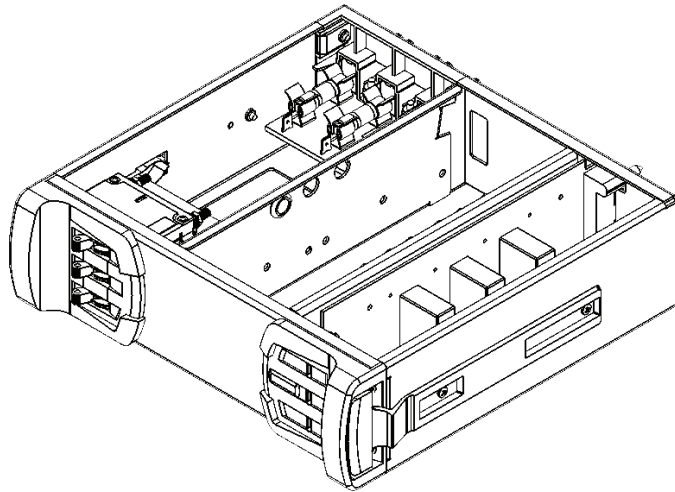


# PCS TRIO™

## Triple Single Pole Relay Module (RRR)



**Catalog Number:**  
PCS-A-MD-RRR

**General Information:**

The Triple Single Pole Relay Module is responsible for the switching of three 20 Amp 120 Volt AC power circuits.

PCS TRIO™ represents a revolution in power management by controlling power to Incandescent Loads, LEDs, Moving Lights and other applicable equipment. The patent pending design of the PCS TRIO™ power architecture enables power control over the widest lighting schedule possible in a single panel.

See additional materials for detailed information.

Triple Single Pole Relay Modules are fully compatible with the entirety of the Lex Products PCS TRIO™ Module Chamber series of power control products.

**Markets Served:**

Entertainment, Architectural

**Related Items**

Model	Description
<b>Modules</b>	
PCS-A-MD-R2R	A-Series Module-(1) Single Pole Relay 120V 20A / (1) Double Pole Relay 240V 20A
PCS-A-MD-D2R	A-Series Module-(1) SCR Dimmer 120V 20A / (1) Double Pole Relay 240V 20A
PCS-A-MD-DRR	A-Series Module-(1) SCR Dimmer 120V 20A / (2) Single Pole Relays 120V 20A
PCS-A-MD-DDD	A-Series Module-Triple SCR Dimmers 120V 20A
PCS-A-MD-PPP	A-Series Module-Plenum
<b>Chamber Controller</b>	
PCS-I-CC	Chamber Controller Module
<b>Module Chambers</b>	
PCS-I-A-MC-04	Installation A-Series Module Chamber (4) Module
PCS-I-A-MC-08	Installation A-Series Module Chamber (8) Module
PCS-I-A-MC-16	Installation A-Series Module Chamber (16) Module

**PCS TRIO™**

- Revolutionary new panel merges the power regulation of LEDs, moving lights and incandescents into a single unit
- Significant convenience and cost-efficiency is achieved through reductions in the installation of cabling and conduit
- Patent-pending bussing design provides all phases of power at each module location

See individual datasheets for details















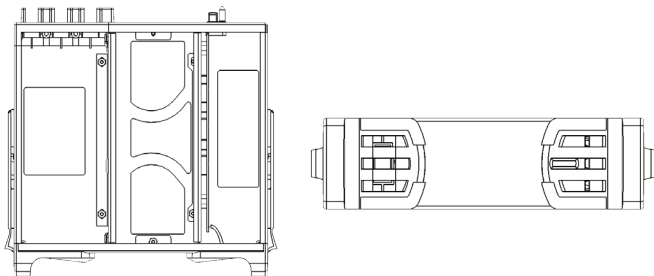
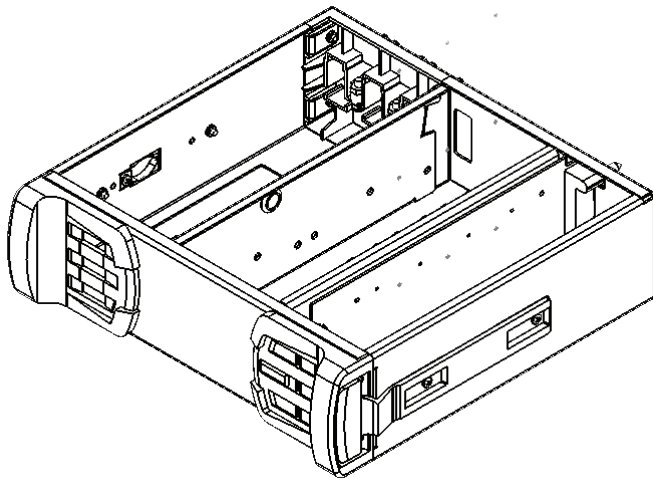






# PCS TRIO™

## Plenum Module (PPP)



**Catalog Number:**  
PCS-A-MD-PPP

**General Information:**

The Plenum Module maintains the cooling and communication integrity of a Module Chamber by occupying slots where other modules are not required.

PCS TRIO™ represents a revolution in power management by controlling power to Incandescent Loads, LEDs, Moving Lights and other applicable equipment. The patent pending design of the PCS TRIO™ power architecture enables power control over the widest lighting schedule possible in a single panel.

See additional materials for detailed information.

Plenum Modules are fully compatible with the entirety of the Lex Products PCS TRIO™ Module Chamber series of power control products.

**Markets Served:**

Entertainment, Architectural

**Related Items**

Model	Description
<b>Modules</b>	
PCS-A-MD-RRR	A-Series Module-Triple Single Pole Relay
PCS-A-MD-R2R	A-Series Module-(1) Single Pole Relay 120V 20A / (1) Double Pole Relay 240V 20A
PCS-A-MD-D2R	A-Series Module-(1) SCR Dimmer 120V 20A / (1) Double Pole Relay 240V 20A
PCS-A-MD-DRR	A-Series Module-(1) SCR Dimmer 120V 20A / (2) Single Pole Relays 120V 20A
PCS-A-MD-DDD	A-Series Module-Triple SCR Dimmers 120V 20A
<b>Chamber Controller</b>	
PCS-I-CC	Chamber Controller Module
<b>Module Chambers</b>	
PCS-I-A-MC-04	Installation A-Series Module Chamber (4) Module
PCS-I-A-MC-08	Installation A-Series Module Chamber (8) Module
PCS-I-A-MC-16	Installation A-Series Module Chamber (16) Module

**PCS TRIO™**

- Revolutionary new panel merges the power regulation of LEDs, moving lights and incandescents into a single unit
- Significant convenience and cost-efficiency is achieved through reductions in the installation of cabling and conduit
- Patent-pending bussing design provides all phases of power at each module location

See individual datasheets for details

# PCS TRIO™

## Plenum Module (PPP)



### Mechanical

- Each module is labeled on its face as 'PPP' indicating **P**lenum/**P**lenum/**P**lenum.
- Plenum modules ship fully factory wired and ready for installation.
- Module components are housed in removable chassis comprised of 14 gauge powder-coated steel.
- The face of the module features dual molded grips for module insertion/removal.
- The rear of the module includes self-aligning communication connections to ensure integrity of contact.
- The left and right sides possess guides for accurate alignment of communication connections as well as molded spring clips for module retention. Guides also possess copper paddles to ensure proper grounding.
- Modules may be inserted and removed from PCS TRIO™ Module Chambers without the use of tools.
- Modules function without noticeable affect within an ambient temperature range of 32° F to 104° F (0° C to 40° C).

### Recognition

- Plenum Modules are cULus Listed.

Module	Height		Width		Depth		Weight	
	3.05"	7.75 cm	11.60"	29.46 cm	11.55"	29.34 cm	4.66 lbs.	2.10 kg
PCS-A-MD-PPP	3.05"	7.75 cm	11.60"	29.46 cm	11.55"	29.34 cm	4.66 lbs.	2.10 kg



Lex Products Corporation  
 15 Progress Drive  
 Shelton CT 06484  
 203.363.3738  
 203.363.3742 Fax

Lex West  
 11847 Sheldon Street  
 Sun Valley, CA 91352  
 818.768.4474  
 818.768.4040 Fax

www.lexproducts.com  
 info@lexproducts.com  
 800.643.4460

© Copyright Lex Products 2014

Produced in the United States of America  
 All Rights Reserved.

Lex Products logo and lexproducts.com are trademarks or registered trademarks of Lex Products in the United States, other countries, or both.