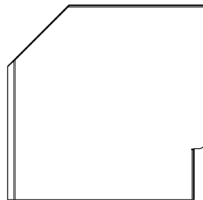
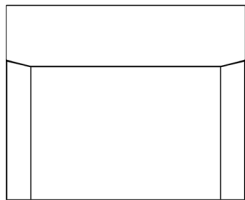
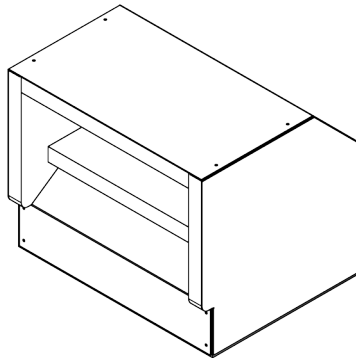
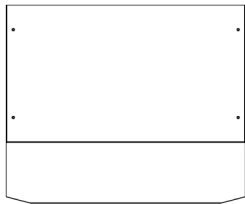
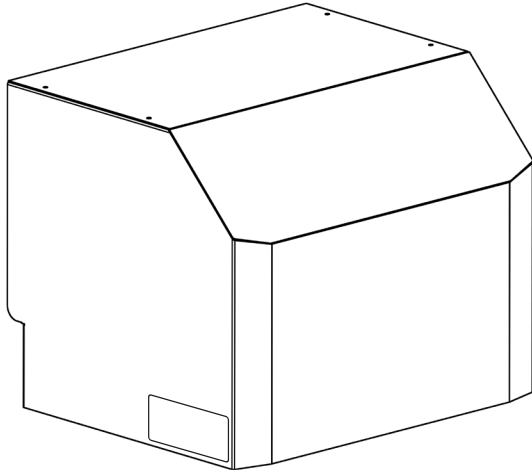


DATASHEET

PCS TRIO™

Decibel Dampener



Catalog Number:
PCS-I-A-DBD

General Information:

The PCS TRIO™ Decibel Dampener is a cowling used to diminish cooling fan noise from a PCS TRIO™ 4-, 8- or 16-Module Chamber for noise-sensitive installations.

Features & Benefits:

- Device fits to the top of the Module Chamber with no tools required.
- 18 gauge black powder-coated steel housing construction.
- 1" lightweight Melamine insulation lining meets ASTM E84 25/50 for flame and smoke.
- Reduces audible emissions while ensuring proper air flow clearance.
- Hook and loop fastening material secures device to Module Chamber.

Height		Width		Depth		Weight	
12.00"	30.48 cm	14.50"	36.83 cm	12.00"	30.48 cm	11.45 lbs	5.19 kgs



www.lexproducts.com
info@lexproducts.com
800.643.4460

© Copyright Lex Products 2016

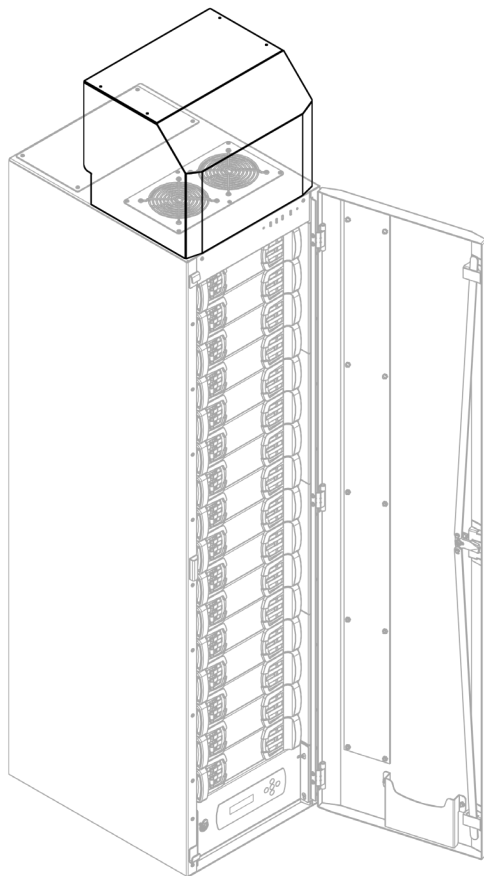
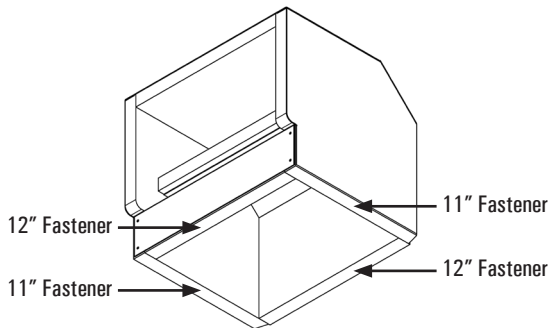
Produced in the United States of America
All Rights Reserved.

Lex Products logo and lexproducts.com are trademarks or registered trademarks of Lex Products in the United States, other countries, or both.

INSTALLATION GUIDELINES

PCS TRIO™

Decibel Dampener



IMPORTANT NOTES:

- Installation of the PCS TRIO™ Module Chamber must be completed prior to installation of the PCS TRIO™ Decibel Dampener.
- The Decibel Dampener **MUST BE** secured to the Module Chamber to ensure a compliant and effective installation.
- Make certain not to damage foam lining while working with the housing.

1. Remove the components of the Decibel Dampener (PCS-I-A-DBD) from the packing materials, to include:
 - a. One (1) Decibel Dampener Housing
 - b. Two (2) 12" lengths of 1" super-adhesive-backed hook and loop fasteners
 - c. Two (2) 11" lengths of 1" super-adhesive-backed hook and loop fasteners
2. Turn the Decibel Dampener Housing over
3. Remove the protective tape of the hook and loop fastener strips from **ONE SIDE ONLY**
4. Using the exposed adhesive surface, firmly press a strip into each of the four (4) foam edges
5. Using alcohol prep pads, clean and dry the Module Chamber surfaces where the Decibel Dampener is to attach
6. Remove the remaining protective tape of the hook and loop fastener strips
7. Position the Decibel Dampener on the Module Chamber and **press firmly into place**

NOTES:

- The Decibel Dampener must be positioned with the vent facing either towards the back (recommended) or towards the front of the Module Chamber
- Adhesive reaches maximum strength after 24 hours



www.lexproducts.com
info@lexproducts.com
800.643.4460

© Copyright Lex Products 2016

Produced in the United States of America
All Rights Reserved.

Lex Products logo and lexproducts.com are trademarks or registered trademarks of Lex Products in the United States, other countries, or both.