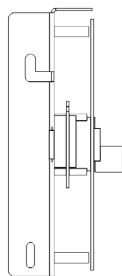
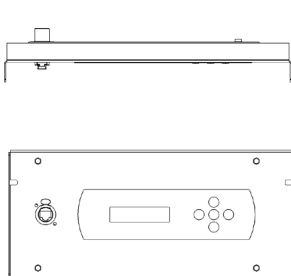
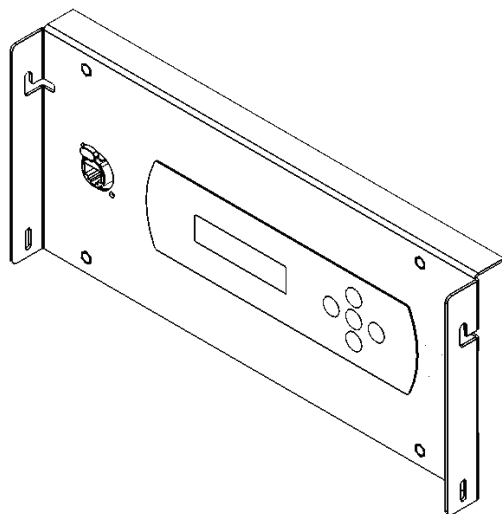


# PCS TRIO™ Chamber Controller (CC)



**Catalog Number:**

PCS-I-CC

**General Information:**

The Chamber Controller Module is responsible for supporting multiple control communication protocols, distribution of communication to Modules within the Module Chamber and providing a user interface for panel commissioning and configuration.

PCS TRIO™ represents a revolution in power management by controlling power to Incandescent Loads, LEDs, Moving Lights and other applicable equipment. The patent pending design of the PCS TRIO™ power architecture enables power control over the widest lighting schedule possible in a single panel.

See additional materials for detailed information.

Chamber Controller Modules are fully compatible with the entirety of the Lex Products PCS TRIO™ Installation A-Series Module Chamber power control products.

**Markets Served:**

Entertainment, Architectural

**Related Items**

Model	Description
<b>Modules</b>	
PCS-A-MD-RRR	A-Series Module-Triple Single Pole Relay
PCS-A-MD-R2R	A-Series Module-(1) Single Pole Relay 120V 20A / (1) Double Pole Relay 240V 20A
PCS-A-MD-D2R	A-Series Module-(1) SCR Dimmer 120V 20A / (1) Double Pole Relay 240V 20A
PCS-A-MD-DRR	A-Series Module-(1) SCR Dimmer 120V 20A / (2) Single Pole Relays 120V 20A
PCS-A-MD-DDD	A-Series Module-Triple SCR Dimmers 120V 20A
PCS-A-MD-PPP	A-Series Module-Plenum
<b>Module Chambers</b>	
PCS-I-A-MC-04	Installation A-Series Module Chamber (4) Module
PCS-I-A-MC-08	Installation A-Series Module Chamber (8) Module
PCS-I-A-MC-16	Installation A-Series Module Chamber (16) Module

See individual datasheets for details

**PCS TRIO™**

- Revolutionary new panel merges the power regulation of LEDs, moving lights and incandescents into a single unit
- Significant convenience and cost-efficiency is achieved through reductions in the installation of cabling and conduit
- Patent-pending bussing design provides all phases of power at each module location

# PCS TRIO™

## Chamber Controller (CC)



### Mechanical

- Each Chamber Controller module is labeled on its face as 'LEX' and 'PCS TRIO™'.
- Modules ship fully factory wired and ready for installation.
- The Chamber Controller module is comprised of a printed circuit board (PCB) mounted and housed in a removable faceplate comprised of 14-gauge powder-coated steel.
- The PCB has discrete quick-connect power and communication terminations.
  - RS-485 data input (DMX, RDM)
  - Ethernet input (ArtNET, sACN)
  - 'ALL ON'/Emergency
  - Backplane communications
  - Fan Power
  - Voltage detect
- The PCB has an Ethernet connection (Neutrik® etherCON®) accessible on the front face of the faceplate for access to Ethernet-based communication networks.
  - Connection is intended for use for initial configuration and troubleshooting.
- The module provides convenient access to power and communication connections while installed. It is not required to remove the Chamber Controller module from the module chamber for servicing.
- All incoming communication ports and remote contact input connections are optically isolated from all processor electronics by a minimum of 2,500V RMS isolation.
- Communication input wiring connections are either removable screw terminals (DMX, RDM) or insulation displacement connections (sACN, ArtNET). Screw terminal connections include 'IN' and 'THRU' terminations.
- Should the Chamber Controller Module require replacement, it may be inserted and removed from module chambers with the use of a screwdriver.
- Modules function without noticeable affect within an ambient temperature range of 32° F to 104° F (0° C to 40° C).

### Electrical

- Chamber Controller modules contain one (1) PCB requiring 12VDC & 24 VDC power.
- Voltage is supplied by a switching power supply housed within the Module Chamber.

### Operation

- Each Chamber Controller module supports the following control protocols:
  - DMX-512A
  - RDM
  - E1.31 sACN
  - Art-Net
- Each module possesses a five (5) button keypad (up arrow, down arrow, left arrow, right arrow and 'ENTER') on the front of the face panel.
- A backlit two (2) line, twenty (20) character LCD display visible on the front on the face panel provides information for panel configuration, status indication and local control.
- The module stores up to eight (8) presets that are user programmable and executable at the panel.
- A recorded preset may be selected to serve as an 'emergency' look (UL924) and activated from a remote source.
- Local control may be activated via the keypad to set individual circuits to specific levels for 'RIG CHECK'.
- The unit possesses a user interface lockout to prevent unintended changes to the system configuration.
- Each Chamber Controller module has on 'ALL ON' function where modules are made active without the need for initial rack commissioning.

### Recognition

- Chamber Controller modules are cULus Listed.

Module	Height		Width		Depth		Weight	
PCS-I-CC	5.35"	13.59 cm	12.15"	30.86 cm	1.80"	4.57 cm	3.00 lbs.	1.36 kg



Lex Products Corporation  
 15 Progress Drive  
 Shelton CT 06484  
 203.363.3738  
 203.363.3742 Fax

Lex West  
 11847 Sheldon Street  
 Sun Valley, CA 91352  
 818.768.4474  
 818.768.4040 Fax

www.lexproducts.com  
 info@lexproducts.com  
 800.643.4460

© Copyright Lex Products 2014

Produced in the United States of America  
 All Rights Reserved.

Lex Products logo and lexproducts.com are trademarks or registered trademarks of Lex Products in the United States, other countries, or both.