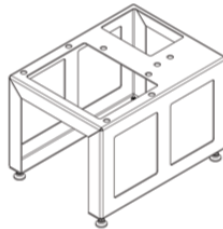
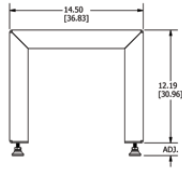
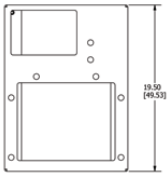
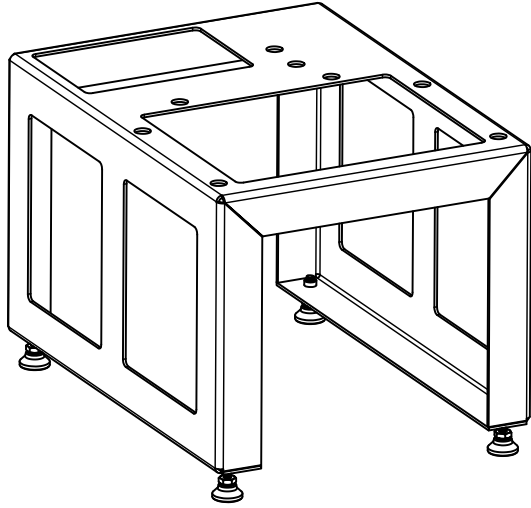


DATASHEET

# PCS TRIO™

## Weight Transfer Stand



**Catalog Number:**  
PCS-I-STND-FLR

**General Information:**

The PCS TRIO™ Stand is a frame that sits beneath the 8-Module Chamber or 16-Module Chamber that transfers the system weight to the floor.

**Features & Benefits:**

- 1/8" black powder-coated aluminum construction.
- Establishes the minimum clearance required between the bottom of the Module Chamber and the floor to ensure proper air flow clearance.
- Includes four (4) levelling feet with a 4" throw to guarantee a level base on an uneven surface.
- Cutouts provide access to the bottom removable knockout panel and air flow inlet.
- Designed to fit within the footprint of the Module Chamber cabinet, while providing door clearance.

PLEASE NOTE: Lex Products is capable of producing the PCS TRIO™ stand in custom heights as requested by the customer.

Height		Width		Depth		Weight	
*12.19"	*30.96 cm	14.50"	36.83 cm	19.50"	49.53 cm	10.00 lbs	4.54 kgs

\* - finished height dependent upon levelling feet setting



www.lexproducts.com  
info@lexproducts.com  
800.643.4460

© Copyright Lex Products 2016

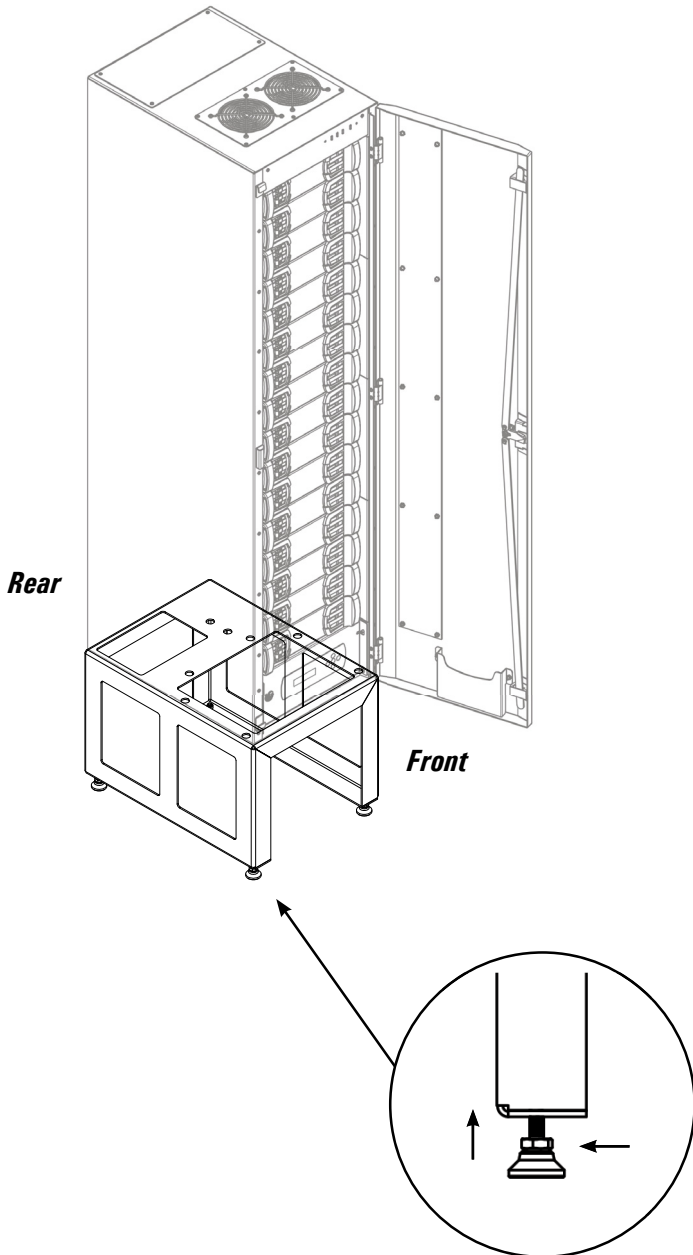
Produced in the United States of America  
All Rights Reserved.

Lex Products logo and lexproducts.com are trademarks or registered trademarks of Lex Products in the United States, other countries, or both.

INSTALLATION GUIDELINES

# PCS TRIO™

## Weight Transfer Stand



Screw mount locknuts located underside of each corner.

**IMPORTANT NOTE: The PCS TRIO™ Stand is designed for the transfer of weight ONLY. For proper safety, operation and code compliance the Module Chamber MUST BE mounted to a wall or other structure for support.**

1. Position the Stand in the intended location
  - a. Stand sides and rear finish flush to the sides and rear of the Module Chamber
  - b. Allow for mounting hardware dimension when locating Stand
2. Using the four (4) screw mounts, level the Stand in all directions
3. Secure the screw mount locknuts to the underside of the frame in each corner
4. Place the Module Chamber on the Stand
5. Align the mounting keyholes of the Module Chamber with the proper locations on the wall
  - a. Mounting keyhole dimensions and locations are provided in the PCS TRIO™ Panel Installation Manual
6. Secure the Module Chamber to the wall
7. Adjust the screw mounts as needed to ensure proper weight dispersal
8. Proceed with the installation of the PCS TRIO™ per the instruction found in the PCS TRIO™ Panel Installation Manual



www.lexproducts.com  
info@lexproducts.com  
800.643.4460

© Copyright Lex Products 2016

Produced in the United States of America  
All Rights Reserved.

Lex Products logo and lexproducts.com are trademarks or registered trademarks of Lex Products in the United States, other countries, or both.