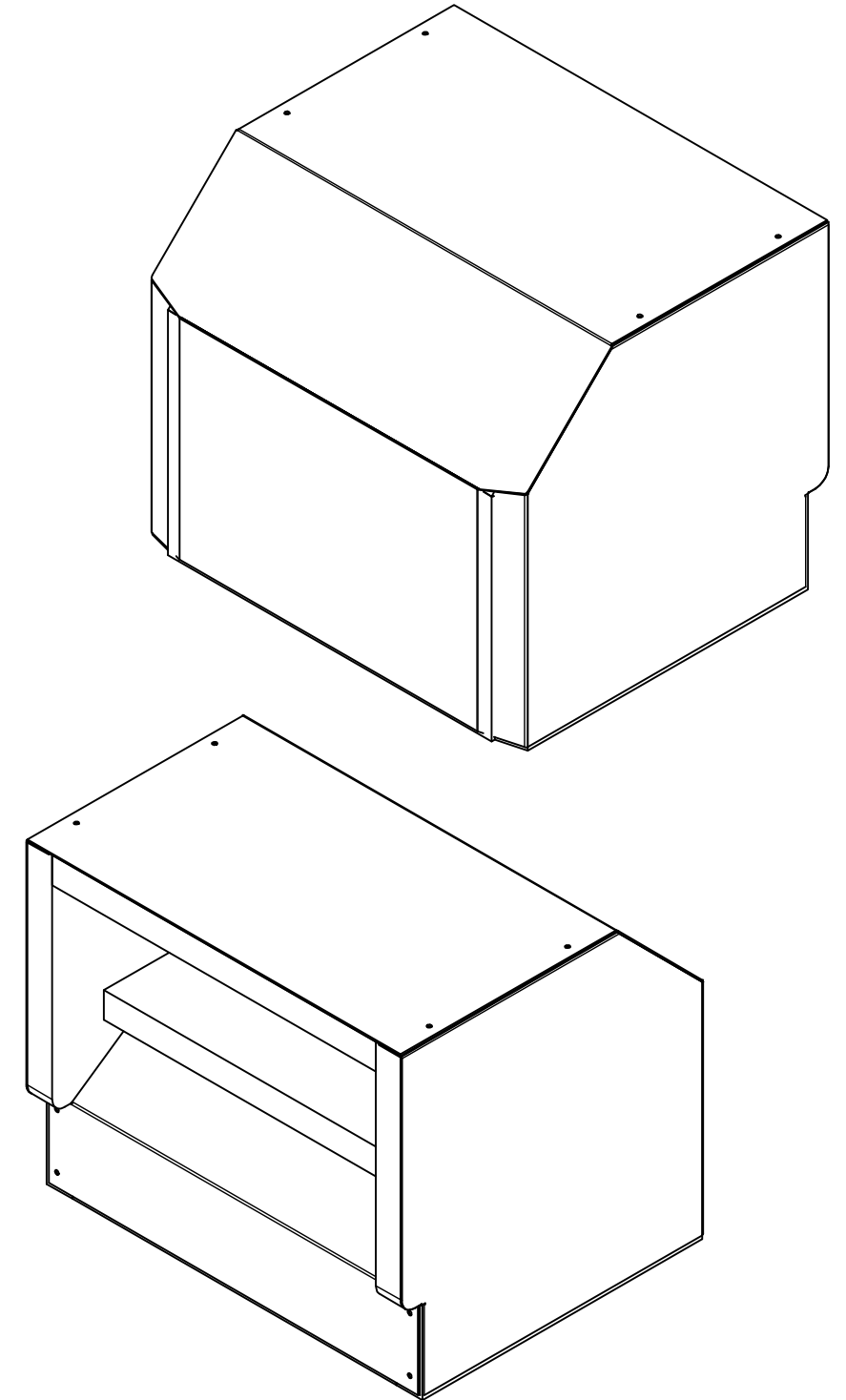
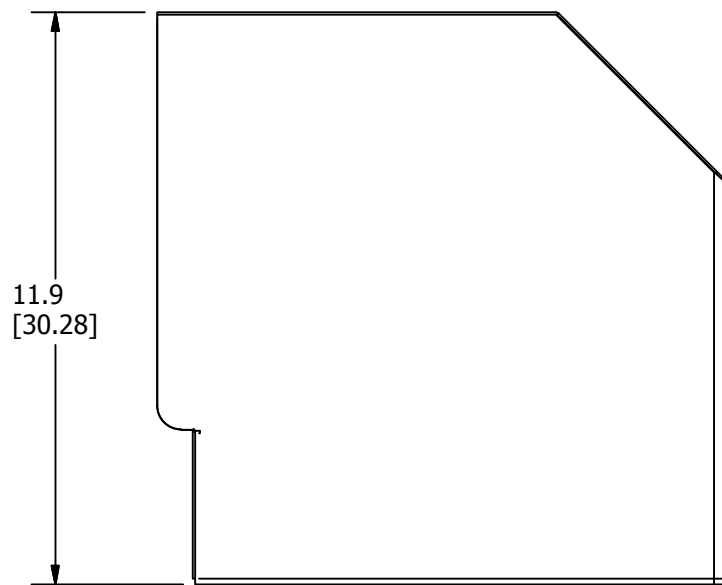
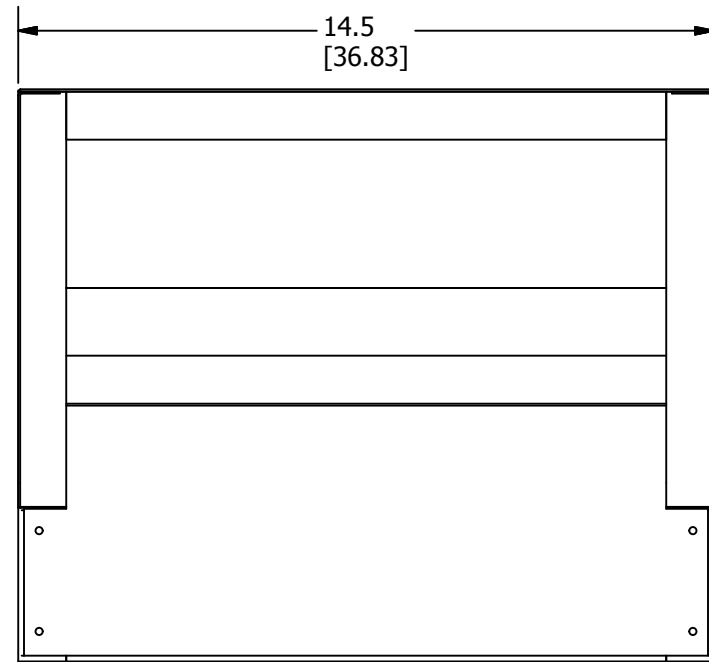
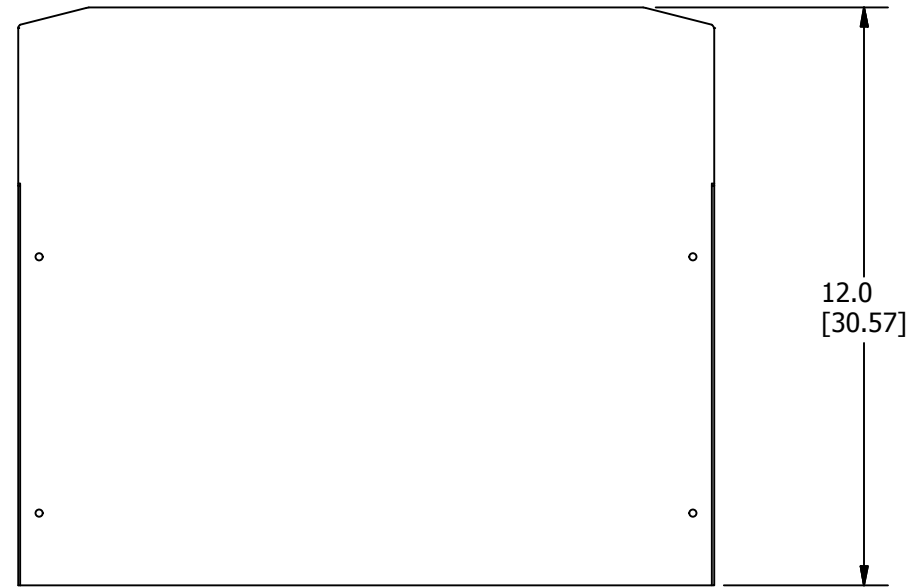


REVISION HISTORY				PARTS LIST				
REV	DESCRIPTION	DATE	APPROVED	ITEM	PART NUMBER	DESCRIPTION	REF DWG	QTY
000	INITIAL RELEASE	08/05/2016		A	PCS-I-A-DBD	PCS TRIO, INSTALLATION, ACCESSORY, DECIBEL DAMPENER	-	1

NOTES:

- 1) THE PCS TRIO™ DECIBEL DAMPENER IS A COWLING USED TO DIMINISH COOLING FAN NOISE GENERATED BY PCS TRIO™ MODULE CHAMBERS.
- 2) DEVICE FITS TO THE TOP OF THE PCS TRIO™ MODULE CHAMBER WITH NO TOOLS REQUIRED.
- 3) DEVICE SHALL HAVE A HOUSING OF 18 GAUGE POWDER-COATED STEEL.
- 4) DEVICE SHALL HAVE 1" LIGHTWEIGHT MELAMINE FOAM INSULATION LINING THAT MEETS ASTM E84 25/50 FOR FLAME AND SMOKE.
- 5) DEVICE SHALL REDUCE AUDIBLE EMISSIONS WHILE ENSURING PROPER AIR FLOW CLEARANCE.
- 6) SELF-ADHESIVE HOOK AND LOOP FASTENING MATERIAL SECURES DEVICE TO PCS TRIO™ MODULE CHAMBER



<small>THE INFORMATION CONTAINED HEREIN IS PROPRIETARY TO LEX PRODUCTS CORP AND SHALL NOT BE REPRODUCED OR DISCLOSED IN WHOLE OR IN PART OR USED FOR ANY DESIGN OR MANUFACTURE EXCEPT WHEN SUCH USER POSSESSES WRITTEN AUTHORIZATION FROM LEX PRODUCTS CORP.</small>		LEX We Deliver the Power™		LEX PRODUCTS CORP. 15 Progress Drive, Shelton, CT. 06484	
<small>TOLERANCES UNLESS SPECIFIED: x ± 0.03 xx ± 0.01 xxx ± 0.005 ANGL. ± 1/4° FRAC. ± 1/16 DIMENSIONS ARE IN INCHES (mm)</small>		DRAWN BY: JEisinger DATE: 7/27/2016		PART NUMBER: PCS-I-A-DBD REV. 0	
© 2014 LEX PRODUCTS CORP.		SCALE: NTS		SHEET 1 OF 1	