



We Deliver the Power™

Lex Products Corporation
15 Progress Drive
Shelton, CT 06484
203.363.3738
203.363.3742 Fax

Lex West
11847 Sheldon Street
Sun Valley, CA 91352
818.768.4474
818.768.4040 Fax

www.lexproducts.com
info@lexproducts.com
800.643.4460

PowerGATE™
Switches & Panels

Emergency Lighting Transfer Switch (ELTS)

Superior Fault Protection Listed For Emergency Use



The Lex PowerGATE™ Emergency Lighting Transfer Switch provides secure standby switching of house light circuits from normal to emergency power during an emergency situation

Features & Benefits

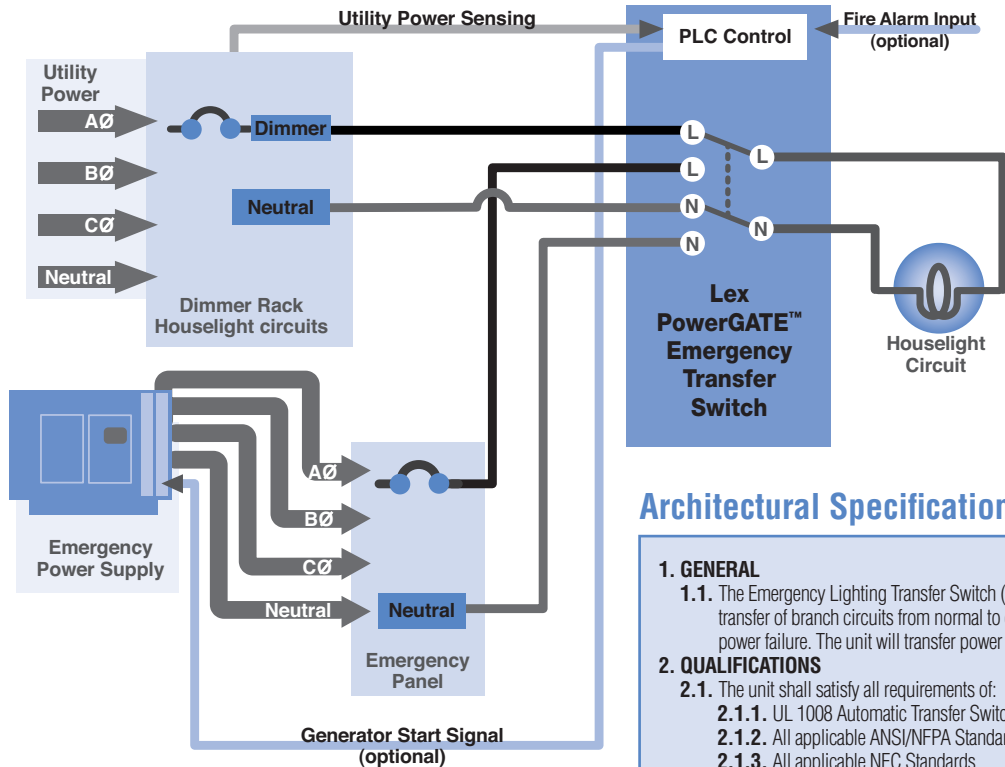
- *Complies with code requirements for UL 1008 Emergency Lighting System*
- *65,000 Amps short circuit current rating provides superior fault protection*
- *Electrically operated, mechanically held contactors switch both line and neutral*
- *Five second switch-time from normal power to standby power, ensures quick transfer is made and accommodates standby power sources startup*
- *One minute switch-time from standby power to normal power ensures that the normal power source is stable*
- *Allows selected existing dimmed house light circuits to also be used for emergency lighting, eliminating the need for dedicated emergency circuits and fixtures*
- *Both discrete and main feed models available in multiple circuit configurations*



TYPE 1 Indoor

Emergency Lighting Transfer Switch (ELTS)

Superior Fault Protection Listed For Emergency Use



Architectural Specification:

1. GENERAL

1.1. The Emergency Lighting Transfer Switch (ELTS) is designed to provide automatic transfer of branch circuits from normal to emergency power in the event of a normal power failure. The unit will transfer power back once normal power is restored.

2. QUALIFICATIONS

- 2.1. The unit shall satisfy all requirements of:
 - 2.1.1. UL 1008 Automatic Transfer Switch for Emergency Systems.
 - 2.1.2. All applicable ANSI/NFPA Standards.
 - 2.1.3. All applicable NEC Standards.

3. ENCLOSURE

- 3.1. The enclosure shall be manufactured from 16, 14 or 12 gauge steel with light gray powder coat finish.
- 3.2. The hinged cover shall be locking and contain a test switch with indicator lights.
- 3.3. Indicators shall be:
 - 3.3.1. Green LED is the Normal Power Indicator.
 - 3.3.2. Red LED is the Emergency Power Indicator.
- 3.4. A Test Switch shall be provided for periodic testing.
- 3.5. Enclosure shall be labeled with all necessary labeling to indicate that the entire system is UL 1008 listed for Emergency Systems.

4. ELECTRICAL

- 4.1. The ELTS shall have (Specify Quantity: 2 through 30) transferable circuits.
- 4.2. Each circuit shall be rated at 120 VAC, 20 Amps.
- 4.3. Emergency power to the panel shall be supplied by (Specify quantity: nn single phase 120 V, 20 A emergency circuits OR a single XX Amp, 120/208 VAC 3 phase emergency power source).
- 4.4. Built in type J type fuses shall be provided for output circuit protection.
- 4.5. The entire unit shall be rated with a minimum 65,000 Amps Short Circuit Rating (SCCR).
- 4.6. Contactors shall be electronically switched and mechanically held.

5. OPERATION

- 5.1. A programmable logic controller (PLC) shall monitor normal power supply for power loss, phase loss, reversal and under voltage.
- 5.2. Circuits shall be transferred to emergency power if:
 - 5.2.1. Any normal power phase drops below 90 VAC (75%).
 - 5.2.2. Any or all normal power phases drop out.
 - 5.2.3. A fire alarm signal is received from the fire alarm system.
- 5.3. The system shall have a 5 second time delay from Normal to Emergency to allow for generator start up.
- 5.4. The system shall have a 1 minute time delay from Emergency back to Normal to ensure the normal supply is stable.

6. CONTROL

- 6.1. The control circuit with interfacing relays shall regulate the operation.
- 6.2. The system shall be capable of remote activation from the fire alarm or other auxiliary interface circuits.
- 6.3. The system shall have a contact closure to automatically start a generator in the event of a power disruption.
- 6.4. The normal power sense feed shall be fed from an upstream breaker.

7. SUPPLY

- 7.1. Emergency Lighting Transfer switches shall be supplied by Lex Products Corp. of Shelton, CT.

Catalog Number:

Main Feed (single 120/208V): LELTS-xx-3

Discrete Feed (multiple 20A): LELTS-xx-1

xx= Number of 20A circuits

Description:

Emergency lighting transfer switch system that switches power from normal to emergency source when power outage is detected. Provides feature rich interface that monitors utility power input, has remote generator starting capabilities and can interface with most fire alarm systems.

Typical Application:

When a power loss occurs it is critical that emergency lighting systems turn on allowing people to make a safe exit from the building. The Lex Products ELTS provides a cost effective UL Listed 1008 transfer switch option which reduces the need for separate emergency lighting systems.

Agency Approvals:

Complete assembly is UL Listed for Emergency Use in the U.S. and Canada

Markets Served:

Entertainment Theatre, Convention Centers

Cabinet Sizes

| | |
|----------------|-------------------|
| 2 Circuits | 24"H x 24"W x 8"D |
| 4-6 Circuits | 30"H x 24"W x 8"D |
| 8-10 Circuits | 30"H x 30"W x 8"D |
| 12-16 Circuits | 36"H x 30"W x 8"D |

Configurations with up to 30 circuits are available. Contact Lex for details.